

<b>Project</b>		<b>Catalog #</b>		<b>Type</b>	
<b>Prepared by</b>		<b>Notes</b>		<b>Date</b>	

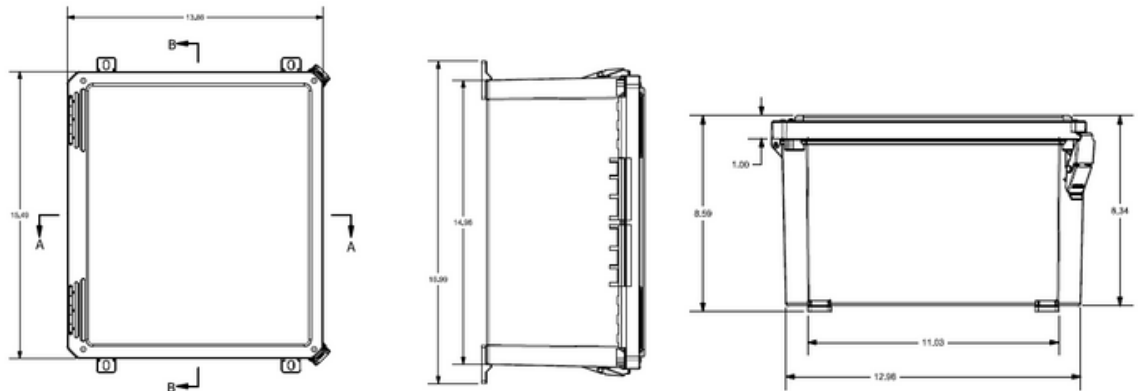


## BAA Network Switch Panel

### Product Features

- Plug & play, pre assembled contractor friendly BAA compliant industrial PoE switch solution
- Multiple port configurations: 1 Fiber + 4 RJ-45, 2 Fiber + 4 RJ-45, 1 Fiber + 8 RJ-45, 2 Fiber + 8 RJ-45
- Provides full PoE/PoE+ power simultaneously to all Ethernet RJ-45 ports
- Configurable PoE Power Reset
- Supports ST, SC and LC fiber ports or SFP transceivers
- Dual Device mode for operating as two separate switches
- Includes 120W industrial power supply
- Terminal block connections for AC supply circuit
- Fiberglass reinforced polyester NEMA 4X enclosure
- Fan-less design for long life
- Industrial (-40 to 75°C) operating temperature
- TAA, BAA and NDAA compliant, and Made in the USA
- Enclosure dimensions 14H x 12W x 8D inches
- All components are UL listed
- Additional options available including routers, gateways, BMS modules. Consult factory for details.

### Dimensional Details



Order Information

Family	Type	# PoE Ports	NEMA	Supply Voltage	
<b>BAA</b>	<b>PNL</b>	<b>04POE</b> = 4 PoE PORTS <b>08POE</b> = 8 PoE PORTS	<b>NEMA4X-FRP</b> = Indoor/Outdoor	<b>120</b> = 120 VAC	
<b>Notes</b>					

Product Specifications

- Enclosure
  - NEMA 4X
  - UL listed IP66 NEMA Type 4X
  - 14 x 12 x 8 inches (HxWxD)
  - Fiberglass reinforced polyester, ANSI 61 gray
  - Molded hinges with stainless steel pins
- Switch
  - Multiple port configurations: 1 Fiber + 4 RJ-45, 2 Fiber + 4 RJ-45, 1 Fiber + 8 RJ-45, 2 Fiber + 8 RJ-45
  - Provides full PoE/PoE+ power simultaneously to all Ethernet RJ-45 ports
  - Configurable PoE Power Reset
  - Supports SFP transceivers
  - Dual Device mode for operating as two separate switches
  - Directed Switch mode to prevent port flooding
  - Supports jumbo frames up to 10,240 bytes
  - DIN-rail mounted
  - 48VDC input voltage
  - Fan-less design for long life
  - Industrial (-40 to 75°C) operating temperature
  - TAA, BAA and NDAA compliant, and Made in the USA
- Power Supply
  - 48VDC, 120W
  - 120-240 VAC input
  - >0.6 power factor
  - Over power, over voltage, over current, and short circuit protected
  - -40~70°C; 20%~95%RH